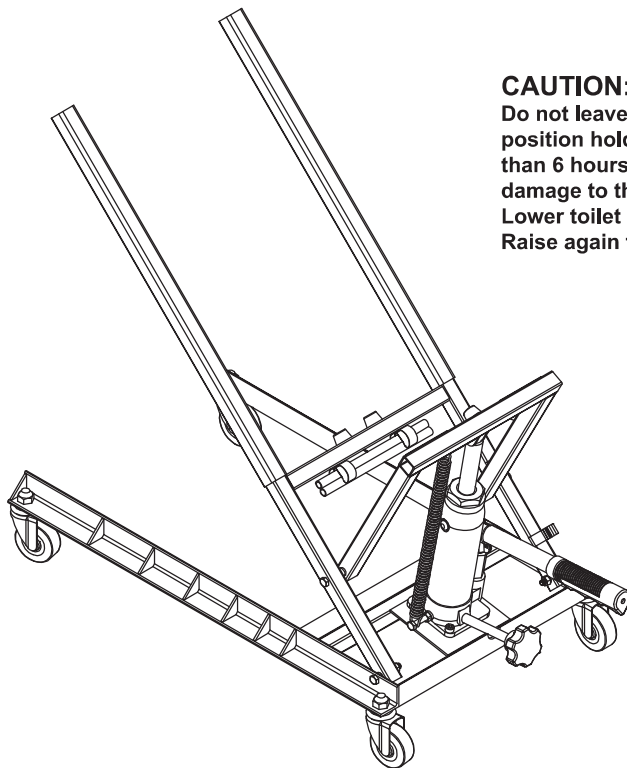


Operating Instructions & Parts Manual

The Toilet Master Jack

Model RT100



CAUTION:

Do not leave jack in up position holding toilet more than 6 hours to prevent damage to the bottle jack. Lower toilet to the floor. Raise again for installation.

U.S. Patent 7,798,469



This is the safety alert symbol. It is used to alert you to potential personal injury hazards. Obey all safety messages that follow this symbol to avoid possible injury or death.

JUNCA INVENTIONS UNLIMITED, LLC
P.O. BOX 53604 LAFAYETTE, LA 70505
337-962-6878 - questions or sales - toiletmasterjack@gmail.com
<http://www.thetoiletmaster.com>

Read this manual and follow all the Safety Rules and Operating Instructions before using the product.

RT100-MO_042020

SAFETY AND GENERAL INFORMATION

Save these instructions. For your safety, read, understand, and follow the information provided with and on this product before using. The owner and operator of this equipment shall have an understanding of this product and safe operating procedures before attempting to use. The owner and operator shall be aware that use and repair of this product may require special skills and knowledge. Instructions and safety information shall be conveyed in the operator's native language before use of this jack is authorized. If any doubt exists as to the safe and proper use of this product, remove from service immediately.

Inspect before each use. Do not use if broken, bent, cracked or damaged parts are noted. Any equipment that appears damaged in any way, or operates abnormally shall be removed from service immediately. If the product has been or suspected to have been subjected to a shock load (a load dropped suddenly, unexpectedly upon it), immediately discontinue use until the equipment has been checked by a factory authorized service center (contact distributor or manufacturer for list of authorized service centers). It is recommended that an annual inspection be done by qualified personnel. Labels and Operator's Manuals are available from manufacturer.

PRODUCT DESCRIPTION

The Toilet Master Jack is designed to lift, and temporarily support, rated capacity loads consisting of one, standard-sized toilet.

SPECIFICATIONS

Model	Capacity	Base Size (L x W)	Min. Height	Max. Height	Volume Hyd. Oil	Net Weight
RT100	175 lbs.	24" x 14-3/8"	6-1/2"	25-7/8"	85 mL	22.05 lbs.

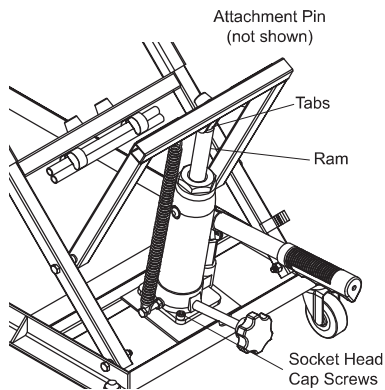


Figure 1 - Bottle Jack assembly

ASSEMBLY

1. Tools required: 16mm wrench, 5mm Allen wrench, needle nose pliers.
2. After locating and inventorying all components, it may be more convenient to service the Bottle Jack before attaching it to the Base Frame. Refer to Steps 4 and 5 under **PREPARATION**.
3. Place Bottle Jack on Base Frame pedestal and thread Attachment Pin through Bottle Jack Frame tabs and hole in Bottle Jack ram. Using two socket head cap screws, assemble Bottle Jack to Base Frame (reference Fig. 1).

- Attach one end of Return Spring to bolt on Bottle Jack base and other end to Attachment Pin (reference Fig. 2).

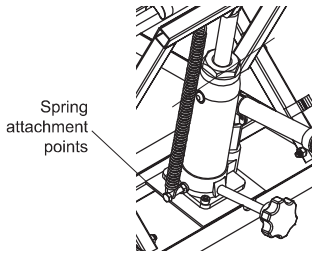


Figure 2 - Spring attachment

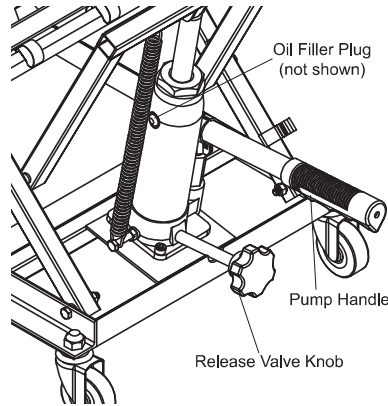
- Assemble the front and rear Casters to the Base Frame using an acorn nut, one washer and one lock washer per caster (reference Fig. 3).



Figure 3 - Caster assembly

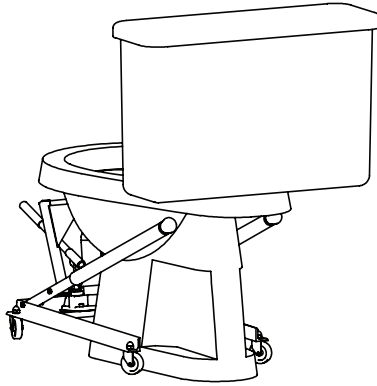
PREPARATION

- Verify that this product and your application are compatible, if in doubt contact Customer Service 337-962-6878.
- Before using this product, read this operator's manual completely and familiarize yourself thoroughly with the product and its components, and recognize the possible hazards associated with its use.
- To familiarize yourself with basic operation, locate the bottle jack release valve knob and turn it:
 - Clockwise* until firm resistance is felt to further turning. This is the '**CLOSED**' release valve position used to **raise** the Toilet Master lifting arms.
 - Counter-clockwise*, but no more than 1/2 turn from the closed position. This is the '**OPEN**' release valve position used to **lower** the Toilet Master lifting arms.
- With ram plunger fully retracted, locate and remove the oil filler plug. Insert the handle into the handle sleeve, then pump 6 to 8 strokes. This will help release any pressurized air, which may be trapped within the reservoir. Ensure the oil level is just below the oil filler hole. Reinstall the oil filler plug.
- Check that the pump operates smoothly and easily before putting into service. Replace worn or damaged parts and assemblies with authorized replacement parts only.
- Assemble bottle jack to lift pedestal using supplied socket head cap screws.



⚠WARNING

- **Read, understand, and follow** all printed materials provided with/on this product before use.
- **Do not** exceed rated capacity.
- Use only on smooth, hard, level surface.
- Do not place hands or fingers between angle iron and lifting arms when holding or lowering a load.
- No alterations shall be made to this product.
- Failure to heed these markings may result in personal injury and/or property damage.



OPERATION

Removing Floor Mounted Toilets:

1. Close water supply valve and flush toilet.
2. Disconnect water supply line.
3. Remove left and right flange bolt nuts and washers.
4. Carefully position the Toilet Master Jack around toilet.
5. Close Bottle Jack Release Valve by turning knob clockwise.

⚠ *Do not over-tighten or over-loosen release valve knob. Do not use mechanical means to force release valve knob. If valve becomes stripped or otherwise operates abnormally, discontinue use of the Toilet Master Jack until repair service can be performed.*

6. Insert Bottle Jack Handle into Handle Sleeve and pump until the Toilet Master Jack arms contact lift point. To lift, continue pumping until toilet clears flange bolts.
7. Roll the Toilet Master Jack and toilet to desired position.

⚠ *Always lower toilet slowly. Open release valve carefully. Do not drop toilet to floor.*

Replacing Floor Mounted Toilets:

⚠ *Ensure all tools and other work items are clear of the area before lowering. Control the rate of descent with the release valve knob at all times. The more you open the release valve, the faster the load will descend. **Do not allow toilet to drop.***

1. Raise toilet high enough to clear seal or flange.
2. With new wax seal in place, on closet flange or on outlet horn, roll the Toilet Master Jack and toilet into position.
3. Place Alignment Rods through holes in base and over right and left flange bolts.
4. Slowly turn the release valve knob counter-clockwise, no more than 1/2 turn.
5. Remove Alignment Rods and roll the Toilet Master Jack out of way.
6. Install bolt washers and nuts, connect water supply line and open valve.
7. Store the Toilet Master Jack with arms fully lowered to reduce exposure of bottle jack ram to rust and contamination.

OPERATION

Removing Wall Mounted Toilets:

1. Close water supply valve and flush toilet.
2. Disconnect water supply line.
3. Remove left and right side bolt nuts and washers.
4. Carefully position the Toilet Master Jack around toilet.
5. Close Bottle Jack Release Valve by turning knob clockwise.

⚠ *Do not over-tighten or over-loosen release valve knob. Do not use mechanical means to force release valve knob. If valve becomes stripped or otherwise operates abnormally, discontinue use of the Toilet Master Jack until repair service can be performed.*

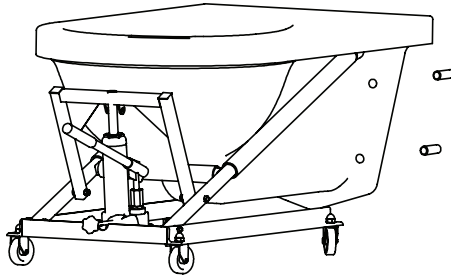
6. Insert Bottle Jack Handle into Handle Sleeve and pump until the Toilet Master Jack arms contact lift point. Back toilet away from wall until toilet clears bolts.
7. Roll the Toilet Master Jack and toilet to desired position.

⚠ *Always lower toilet slowly. Open release valve carefully. Do not drop toilet to floor.*

Replacing Wall Mounted Toilets:

⚠ *Exersize caution when lowering the jack and toilet. Control the rate of descent with the release valve knob at all times. The more you open the release valve, the faster the load will descend. **Do not allow toilet to drop.***

1. With new seal in place, roll the Toilet Master Jack and toilet into position on mounting bolts.
2. Install washers and nuts hand tight.
3. Lower the Toilet Master Jack and roll out of way.
4. Tighten nuts to secure seal and toilet to wall.
5. Connect water supply line and open valve.
4. Store the Toilet Master Jack with arms fully lowered to reduce exposure of bottle jack ram to rust and contamination.



TROUBLESHOOTING

Symptom	Possible Causes	Corrective Action
The Toilet Master will not lift	<ul style="list-style-type: none"> • Release valve not tightly closed • Overload condition 	<ul style="list-style-type: none"> • Ensure release valve tightly closed • Relieve overload condition
The Toilet Master will lift, but not maintain pressure	<ul style="list-style-type: none"> • Release valve not tightly closed • Hydraulic unit malfunction 	<ul style="list-style-type: none"> • Ensure release valve tightly closed • Contact Technical Service
The Toilet Master will not lower	<ul style="list-style-type: none"> • Reservoir overfilled 	<ul style="list-style-type: none"> • Ensure load is removed, then drain fluid to proper level
Poor lift performance	<ul style="list-style-type: none"> • Low hydraulic fluid level • Air trapped in system 	<ul style="list-style-type: none"> • Ensure proper fluid level • With ram fully retracted, remove oil filler plug to let pressurized air escape, then reinstall oil filler plug
The Toilet Master will not lift to full extension	<ul style="list-style-type: none"> • Low hydraulic fluid level 	<ul style="list-style-type: none"> • Ensure proper fluid level

BOTTLE JACK MAINTENANCE

Important: Use only quality grade hydraulic jack oil. Avoid mixing different types of fluid and NEVER use brake fluid, turbine oil, transmission fluid, motor oil or glycerin. Improper fluid can cause premature failure of the jack and the potential for sudden and immediate loss of load. The manufacturer recommends Mobil DTE 13M.

Adding oil

1. With ram plunger fully lowered and pump piston fully depressed, set jack in its upright, level position. Remove oil filler plug.
2. Fill with oil until just below the rim of the oil filler hole. Reinstall the oil filler plug.

Changing oil

Note: For best performance and longest life, replace the complete fluid supply at least once per year.

1. With ram plunger fully lowered and pump piston fully depressed, remove the oil filler plug.
2. Lay the jack on its side and drain the fluid into a suitable container.

Note: Dispose of hydraulic oil in accordance with local environmental regulations.

3. Fill with oil until just below the rim of oil filler hole. Reinstall the oil filler plug.

Lubrication

A periodic coating of light lubricating oil to pivot points, axles and hinges will help to prevent rust and assure that pump assemblies move freely.

Cleaning

Periodically check the pump piston and ram plunger for signs of rust or corrosion. Clean as needed and wipe with an oily cloth.

Note: Never use sandpaper or abrasive material on these surfaces!

Storage

When not in use, store the jack with pump piston and ram plunger fully retracted.

REPLACEMENT PARTS

Not all components of the Toilet Master Jack are replacement items. When ordering, give part number and parts description. Call or write for current pricing: JUNCA INVENTIONS UNLIMITED, LLC, P.O. Box 53604, Lafayette, LA 70505 Tel: 337-962-6878

Item	Part#	Description	Qty
1	SMTD-1000-00	Base Frame	1
2	SMTD-2000-00	Lift Up Frame	1
3	SMTD-3000-00	Cross Frame	1
4	SMTD-5008-00	Bottle Jack	1
5	SMTD-4000-00	Handle Assembly	1
6	SMTD-5003-00	Spring	1
7	SMTD-5002-00	Pin	1
8	SMTD-5006-00	Long Plastic Tube	2
9	SMTD-5005-00	Frame End Cap	2

Item	Part#	Description	Qty
10	SMTD-5007-00	Rubber Bumper	3
11	SMTD-5010-00	Alignment Rod Holder	2
12	SMTD-5011-00	Handle Holder	2
13	SMTD-5009-00	Caster	4
14	SMTD-5004-00	Bolt Guide Alignment Rod	2
15	5303-00010-000	Washer (Caster)	4
16	5202-00010-000	Cap Nut (Caster)	4
17	-	Repair Kit	-

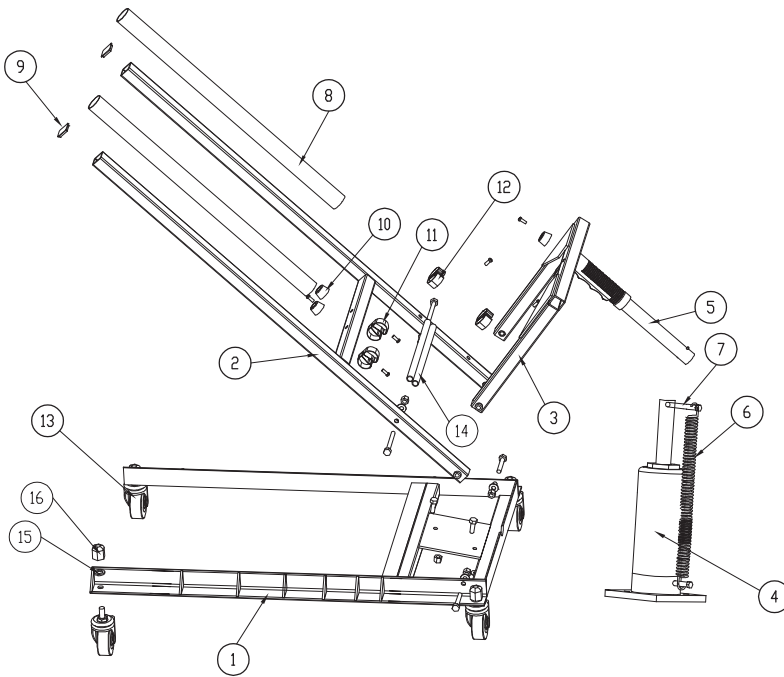


Illustration for the Toilet Master Jack Model RT100 replacement parts

SIX MONTH LIMITED WARRANTY

For a period of six (6) months from date of purchase, **JUNCA INVENTIONS UNLIMITED, LLC** will repair or replace, at its option, without charge, any of its products which fails due to a defect in material or workmanship under normal usage. This limited warranty is a consumer's exclusive remedy.

Performance of any obligation under this warranty may be obtained by returning the warranted product, freight prepaid, to **JUNCA INVENTIONS UNLIMITED, LLC** Warranty Service Department, 2694 Hwy 176, Sunset, LA 70584.

Except where such limitations and exclusions are specifically prohibited by applicable law, (1) THE CONSUMER'S SOLE AND EXCLUSIVE REMEDY SHALL BE THE REPAIR OR REPLACEMENT OF DEFECTIVE PRODUCTS AS DESCRIBED ABOVE. (2) **JUNCA INVENTIONS UNLIMITED, LLC** SHALL NOT BE LIABLE FOR ANY CONSEQUENTIAL OR INCIDENTAL DAMAGE OR LOSS WHATSOEVER. (3) ANY IMPLIED WARRANTIES, INCLUDING WITHOUT LIMITATION THE IMPLIED WARRANTIES OF MERCHANTABILITY AND FITNESS FOR A PARTICULAR PURPOSE, SHALL BE LIMITED TO SIX MONTHS, OTHERWISE THE REPAIR, REPLACEMENT OR REFUND AS PROVIDED UNDER THIS EXPRESS LIMITED WARRANTY IS THE EXCLUSIVE REMEDY OF THE CONSUMER, AND IS PROVIDED IN LIEU OF ALL OTHER WARRANTIES, EXPRESS OR IMPLIED. (4) ANY MODIFICATION, ALTERATION, ABUSE, UNAUTHORIZED SERVICE OR ORNAMENTAL DESIGN VOIDS THIS WARRANTY AND IS NOT COVERED BY THIS WARRANTY.

Some states do not allow limitations on how long an implied warranty lasts, so the above limitation may not apply to you. Some states do not allow the exclusion or limitation of incidental or consequential damages, so the above limitation or exclusion may not apply to you. This warranty gives you specific legal rights, and you may also have other rights, which vary from state to state.

JUNCA INVENTIONS UNLIMITED, LLC
P.O. Box 53604
Lafayette, LA 70505
<http://www.thetoiletmaster.com>