

DESCRIPTION

The Sure-Lites Emergency Light XR6C-LED is designed to reduce egress system cost and maintenance as well as improve reliability. Key features include long life LED's, proprietary adjustable accuLED optics, a nickel cadmium battery and a rugged sheet metal housing. The Patented external battery disconnect and EZ Hang features reduce installation time and cost. This product is City of Chicago compliant and New York City compliant.

Catalog #		Type
Project		
Comments		Date
Prepared by		

SPECIFICATION FEATURES

ELECTRICAL

- Dual Voltage Input
120/277 VAC, 60Hz
- EZ Key external battery disconnect
- Brownout circuit
- Low voltage disconnect
- Overload / Short Circuit protection
- 4.8V Battery back-up
- Minimum 90-minute runtime
- LED source with 300 lumens of output

HOUSING CONSTRUCTION

- 20 gauge sheet metal housing
- White finish
- Universal J-box mounting pattern
- Keyhole mounting slots
- Knockouts for conduit entry

BATTERY

- Sealed Nickel Cadmium
- Full Recharge Time,
24 hours (max.)
- 0° to 40°C (32° to 104°F)

WARRANTY

- Five-year fixture warranty
- Prorated seven-year battery warranty

CODE COMPLIANCE

- UL924 Listed
- Damp Location
- Life Safety NFPA 101
- NEC/OSHA
- Most State & Local Codes
- City of Chicago Compliant
- NYC Compliant



XR6C-LED

SEL Emergency Light

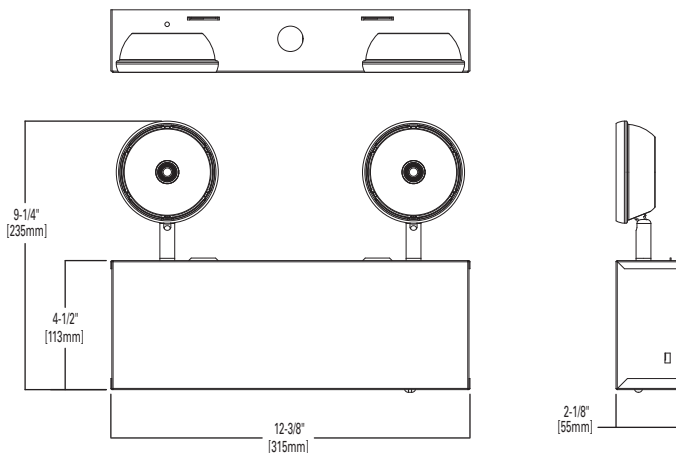
**LED Emergency Light
Metal Housing
Adjustable Optic
SELM**

**City of Chicago Compliant
New York City Compliant**

HOW TO SPECIFY

Sure-lites LED emergency light with nickel cadmium battery, EZ Key external battery disconnect, EZ Hang installation, adjustable optics, 300 Lumens/per head, and sheet metal housing.

DIMENSIONS



ORDERING INFORMATION

SAMPLE NUMBER: XR6C-LED

Series	Battery	Color
XR6C-LED= LED Emergency Light, Metal Housing	_ =NiCad	_ =White

ENERGY DATA

	Input Power	Current
120V	1.7W	.25 A
277V	1.6W	.21 A

TECHNICAL DATA

LED Heads

All metal formed aluminum lampheads. The die cast metal three dimensional swivel assembly permits approximate aiming adjustment from 80° vertical and 358° rotation. The placement is secured with a lockable pivot mounted on a rotating base ring.

Housing

The rugged 20-gauge die-formed cold rolled steel housing is finished with white corrosion resistant polyester powder coat paint. Cabinet has keyhole mounting slots and knockouts in rear and side for wiring connections and has universal mounting pattern.

EZ Key – External Power Disconnect

Prevents the battery from cycling during the construction phase and ensures battery is not drained from power cycling.

Low Voltage Disconnect

The low voltage circuitry disconnects the lighting load to protect the battery after run times in excess of the 90 minute UL limit. The disconnect remains in effect until normal utility power is restored preventing deep battery discharge.

Brownout Circuit

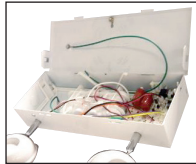
The brownout circuit on the XR6C-LED emergency light monitors the flow of AC current to the unit and activates the emergency light heads when a predetermined reduction of AC power occurs.

Warranty

XR6C-LED is backed by a five-year warranty on the fixtures.



EZ Key



EZ Hang