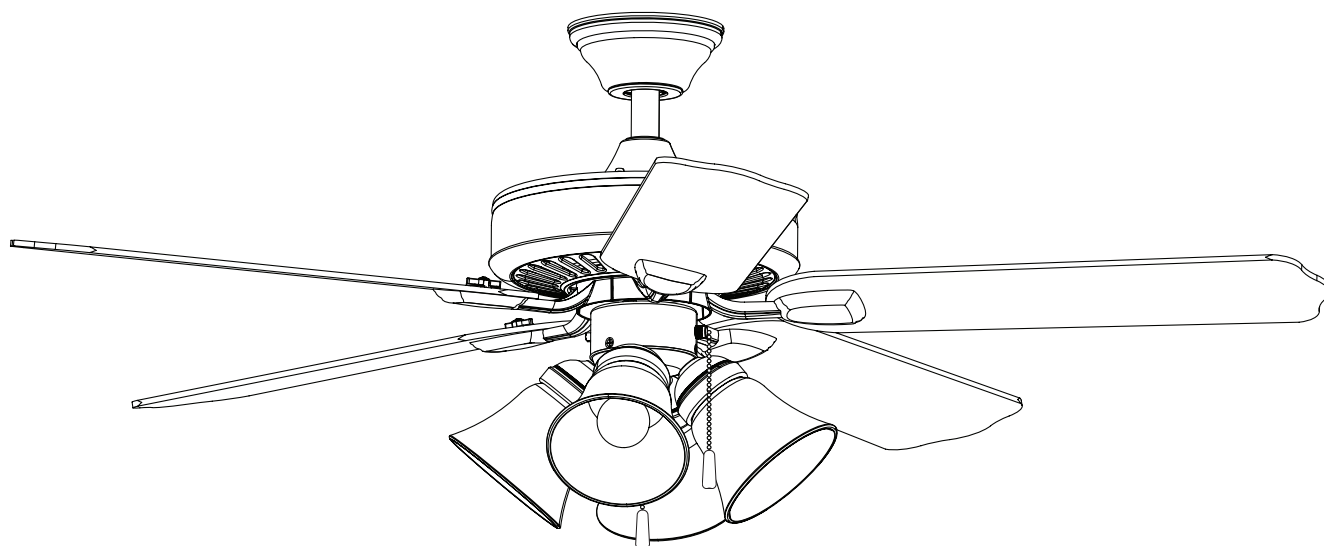




Part #: 287505 (32182) - Brushed Nickel, USN #: 323157604
Part #: 287507 (32183) - Polished Brass
Part #: 287508 (32181) - White, USN #: 323157605
Part #: 269721 (32145) - Bronze

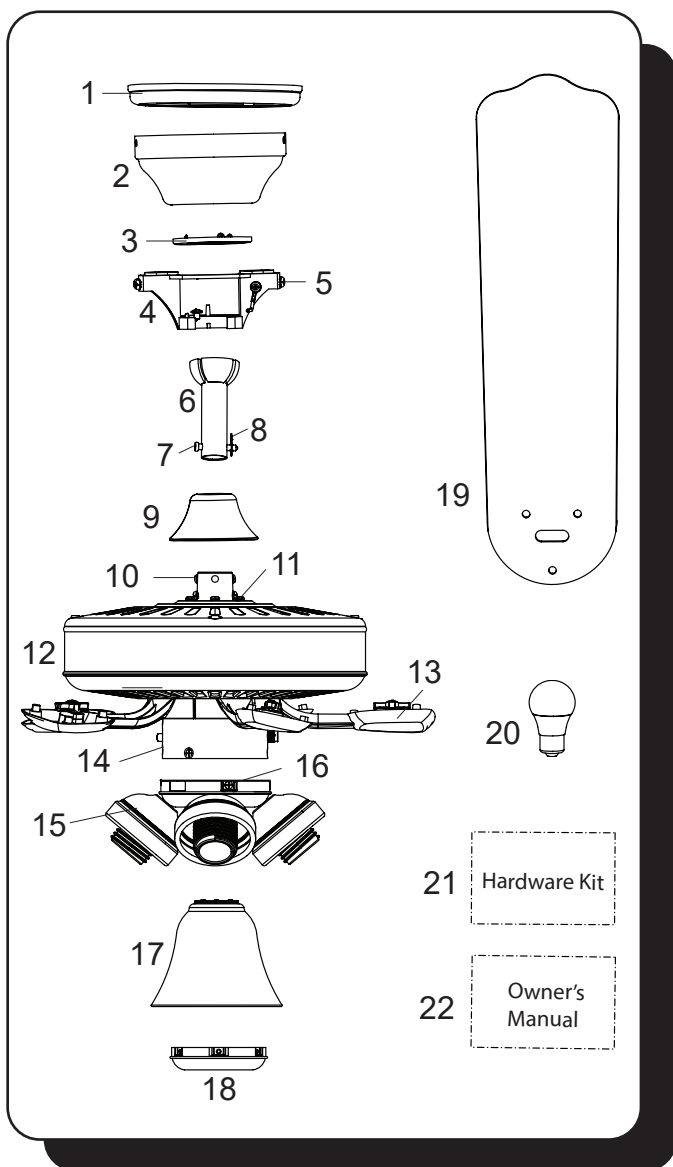
52" LED Ceiling Fan Owner's Manual



Exclusively Distributed By:
HD Supply
Atlanta, GA 30339
© 2023
Made in China

To Reorder:
1-800-431-3000
hdsupplysolutions.com

PACKAGE CONTENTS



Unpack your fan and check the contents. You should have the following items:

PACKAGE CONTENTS

- | | |
|--------------------------------|-------------------------------|
| 1. Trim Ring | 12. Motor Assembly |
| 2. Canopy | 13. Blade Arm (x5) |
| 3. Canopy Cover | 14. Switch Housing |
| 4. Mounting Bracket | 15. Light Kit |
| 5. Mounting Bracket Screw (x4) | 16. Switch Housing Screw (x3) |
| 6. Downrod | 17. Glass Shade (x4) |
| 7. Downrod Pin | 18. Switch Housing Cap |
| 8. Downrod Clip | 19. Blade (x5) |
| 9. Yoke Cover | 20. E26-base LED bulb (x4) |
| 10. Set Screw (x2) | 21. Hardware Kit |
| 11. Closemount Screw (x3) | 22. Owner's Manual |

HARDWARE CONTENTS

- | | |
|-------------------------|-------------------------------|
| AA. Wire Connector (x3) | DD. Pull Chain Extension (x2) |
|-------------------------|-------------------------------|

Note: Some extra hardware has been included. The quantity listed above is the number required for installation.

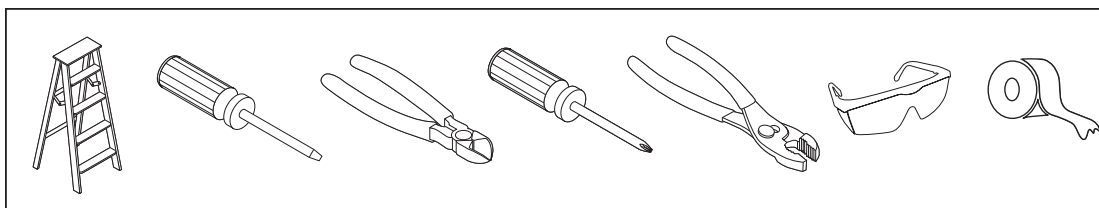
HARDWARE CONTENTS



DD



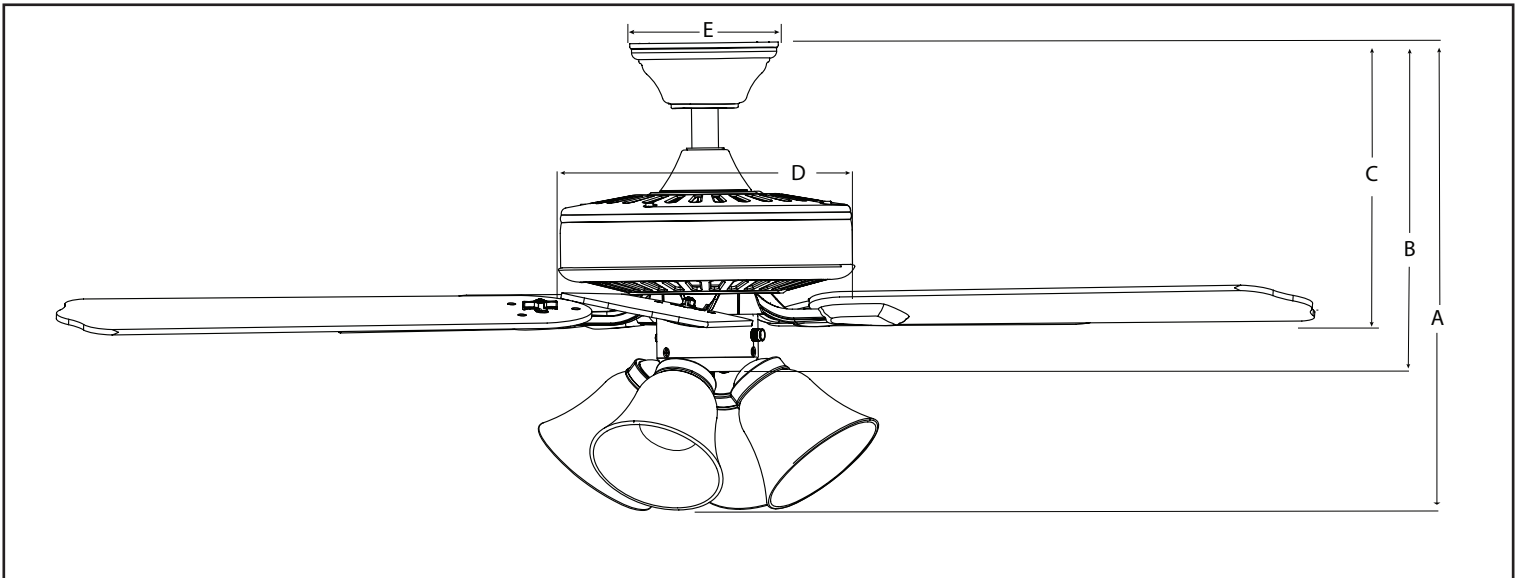
TOOLS REQUIRED (not included)



Tools required for assembly: Electrical tape, Phillips Screwdriver, Pliers, Safety Glasses, Step Ladder, Wire Cutters and Wire Strippers

Helpful Tools: AC Tester Light, Tape Measure, and Wiring Handbook

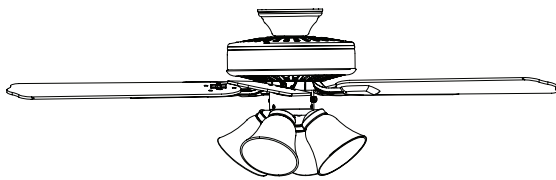
DIMENSION REFERENCE



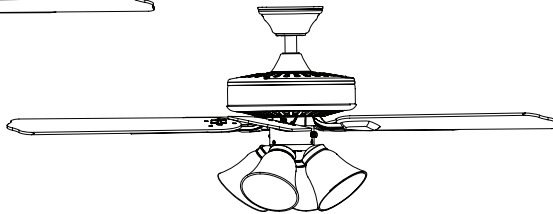
A. 18.67 in. B. 12.9 in. C. 11.15 in. D. 11.45 in. E. 5.13 in.

MOUNTING OPTIONS

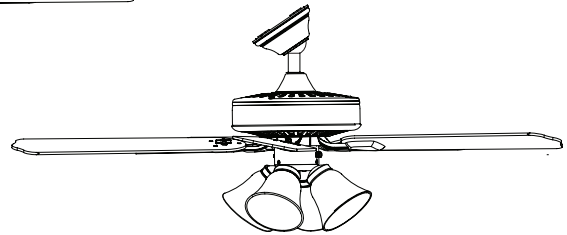
Three Mounting Options



Closemount



Downrod Mount



Angle Mount (up to 16 degrees)

Choose one of the following mounting options:

Closemount method is best suited for ceilings lower than 8 feet. It does not utilize the downrod.

Downrod Mount is best suited for ceilings 8 ft. or higher. For taller ceilings you may want to use a longer downrod (not included).

Angled Ceiling Mount is best suited for angled or vaulted ceilings. A longer downrod is sometimes necessary to ensure proper blade clearance from the ceiling. If using the angle mount, check to ensure the ceiling angle is not steeper than 16°.

SAFETY INSTRUCTIONS

READ ALL SAFETY INFORMATION AND INSTALLATION INSTRUCTIONS BEFORE YOU BEGIN INSTALLING THE FAN AND SAVE INSTRUCTIONS.

CAUTION:

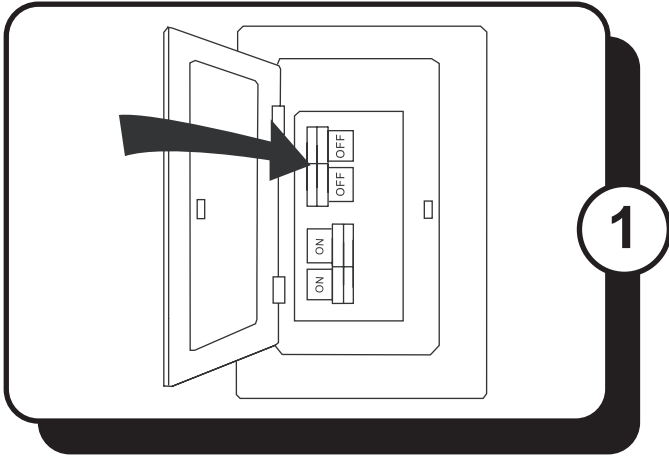
- All set screws of the fan must be checked and retightened where necessary before installation.
- To reduce the risk of personal injury, do not bend the blade brackets when installing the brackets, balancing the blades or cleaning fan. Do not insert foreign objects in between rotating fan blades.
- Before changing the fan direction, turn off the fan and wait for the fan blades to stop completely.
- The safeguards provided by these safety instructions and by the separate installation instructions are not meant to cover all possible conditions and situations that may occur. It must be understood that common sense, caution and care are factors which can not be built into this product. These factors must be supplied by the person(s) installing, caring for and operating the fan.
- The fan weight is Net Weight: 20.08 lb (9,11 kg). Be sure the outlet box (not included) is securely attached to the building structure and is marked "Acceptable For Fan Support". Failure to do so can result in serious injury.
- This equipment has been tested and found to comply with the limits for a Class B digital device, pursuant to Part 15 of the FCC Rules. These limits are designed to provide reasonable protection against harmful interference in a residential installation. This equipment generates, uses and can radiate radio frequency energy and, if not installed and used in accordance with the instructions, may cause harmful interference to radio communications. However, there is no guarantee that interference will not occur in a particular installation. If this equipment does cause harmful interference to radio or television reception, which can be determined by turning the equipment off and on, the user is encouraged to try to correct the interference by one or more of the following measures:
 - Reorient or relocate the receiving antenna.
 - Increase the separation between the equipment and receiver
 - Connect the equipment into and outlet on a circuit different from that to which the receiver is connected.
 - Consult the dealer or an experienced radio/TV technician for help.Please note changes or modifications not expressly approved by the party responsible for compliance could void the user's authority to operate the equipment.

HKC-US, 3350 Player's Club Parkway, #225, Memphis, TN 38125, 1-800-431-3000

WARNING:

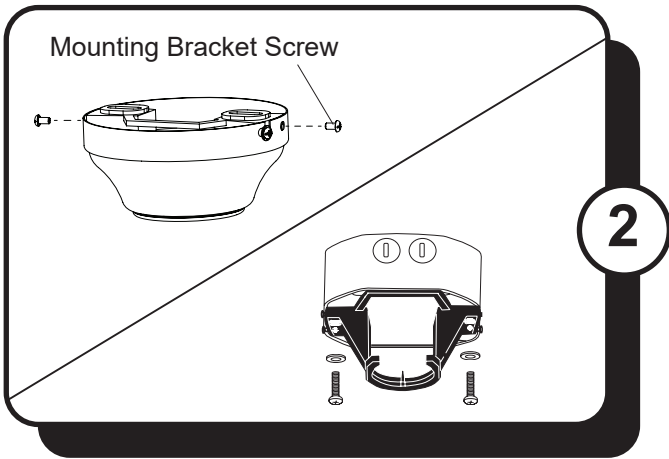
- To avoid risk of electric shock, be sure to shut off power at the main fuse or circuit breaker box before installing or servicing this fixture. Turning off the electrical power by using the light switch is not sufficient to prevent electrical shock.
- To reduce the risk of injury, install the fan so that the blades are at least 7 feet (2.1 Meters) above the floor and at least 18 inches (0.5 Meters) from the tip of the blades to the wall.
- To reduce the risk of fire, electric shock, or personal injury, mount to outlet box marked "acceptable for fan support" and use mounting screws provided with the outlet box.
- The installation has to be in accordance with the national electrical code, ANSI/NFPA 70-1999 and local codes. If you are unfamiliar with the methods of installing electrical wiring, seek the services of a qualified licensed electrician.
- Using a full-range dimmer switch to control fan speed will cause a loud humming noise from the fan. To reduce the risk of fire or electric shock, do NOT use a full-range dimmer switch to control the fan speed.

ASSEMBLY INSTRUCTIONS



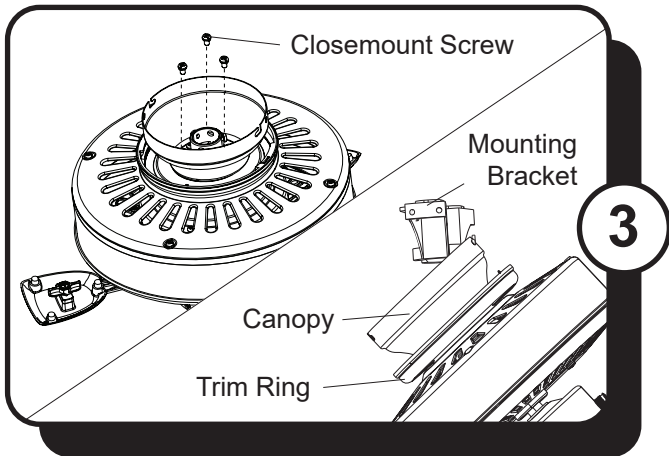
1. Turn OFF the electrical power at the main fuse or circuit breaker.

DANGER: Failure to disconnect the power supply prior to installation may result in serious injury or death.



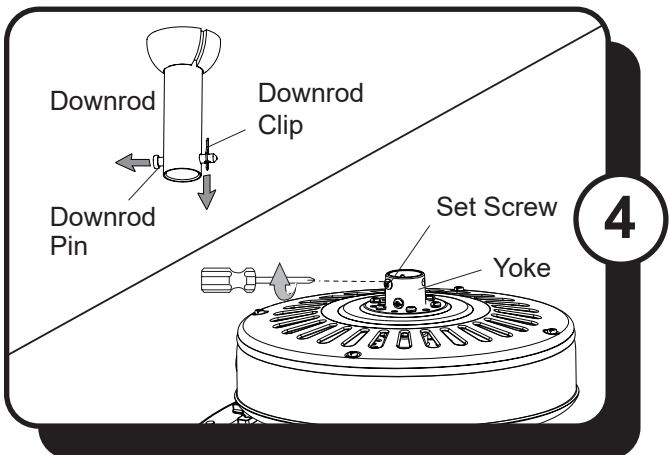
2. Loosen all four mounting bracket screws and completely remove the two screws from the round holes in the canopy. Save the screws for later. Remove the canopy from the mounting bracket. Then, install the mounting bracket to the outlet box (sold separately) using the screws and washers provided with the outlet box.

WARNING: To reduce the risk of fire, electric shock, or personal injury, mount to the outlet box marked "acceptable for fan support" and use the mounting screws and washers provided with the outlet box.



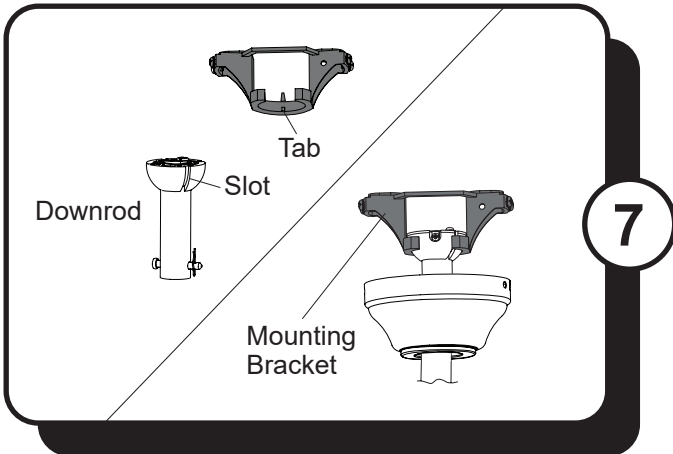
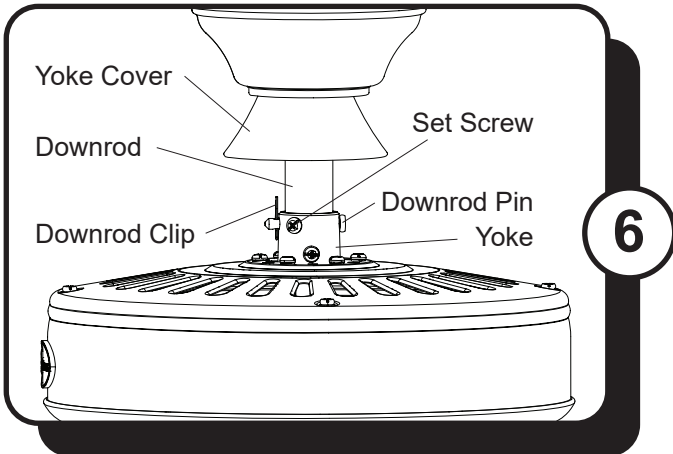
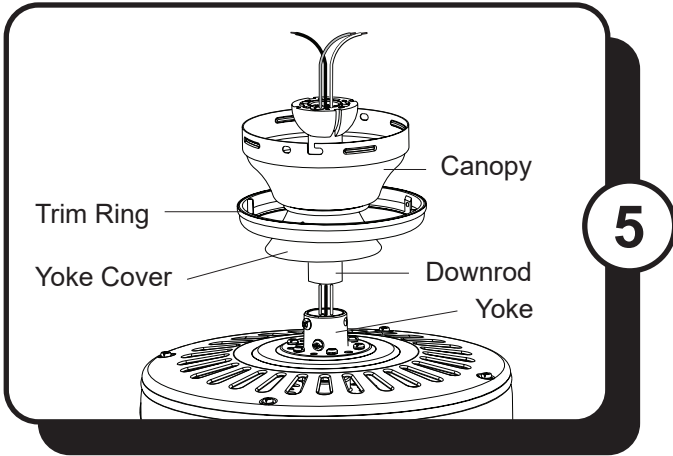
3. **CLOSEMOUNT INSTALLATION** (optional) -
a. Remove the three Phillips-head closemount screws from the top of the motor assembly.
b. Remove the canopy cover from the bottom of the canopy.
c. Align the holes in the bottom of the canopy with the screw holes in the top of the motor assembly. The larger holes in the canopy will encompass the three pre-installed screws.
d. Secure the canopy to the top of the motor assembly with the three closemount screws.
e. Hang the fan on the hook of the mounting bracket.

Proceed to Step 8.



4. **DOWNROD MOUNT** - Remove the downrod pin and downrod clip from the downrod. Then, loosen but don't remove the set screws in the yoke.

ASSEMBLY INSTRUCTIONS



5. Insert the downrod through the canopy, trim ring, and yoke cover. Feed the wires coming from the fan through the downrod.

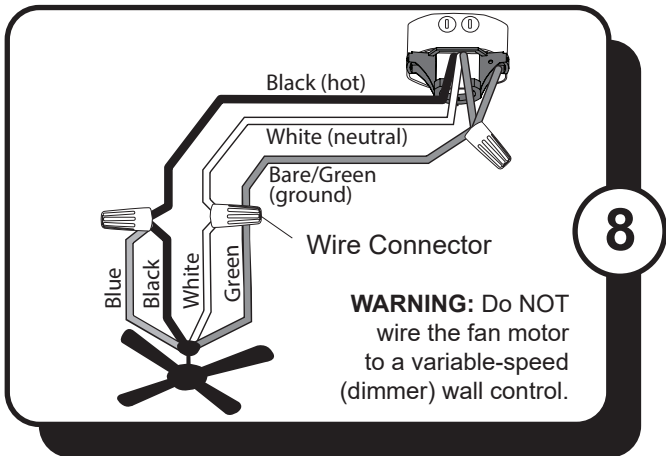
6. Slide the downrod into the yoke of the motor assembly, align the holes, then re-install the downrod pin and downrod clip. Secure with the two set screws and slide the yoke cover down until it rests on top of the motor assembly.

Note: With wiring extending out of the downrod, measure 8 inches of lead wire and cut the excess wire with wire cutters (not included). Then strip 1/2" of insulation from the end of each wire.

7. Install the ball end of the downrod into the opening of the mounting bracket. Rotate the downrod until the tab in the mounting bracket is seated in the slot in the downrod ball.

WARNING: The fan and/or downrod should not rotate in the mounting bracket, if installed correctly. Failure to align the slot in the downrod ball with the tab on the mounting bracket may result in fan falling causing serious injury or death.

ASSEMBLY INSTRUCTIONS



8

Black (hot)
White (neutral)
Bare/Green (ground)
Wire Connector
Blue
Black
White
Green

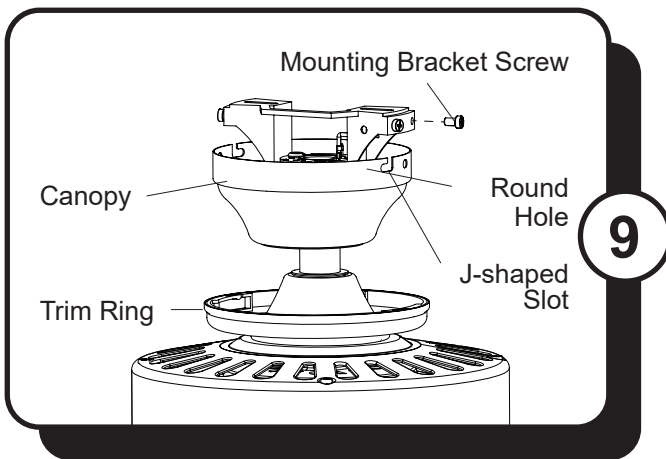
WARNING: Do NOT wire the fan motor to a variable-speed (dimmer) wall control.

8. Use wire connectors to connect the fan wires to the power supply wires according to the wiring diagram and the following instructions:

- Connect the green wire from the downrod and mounting bracket to the bare/green (ground) supply wire. **Note:** Closemount installation does not use the downrod, so there will only be two green wires to connect.
- Connect the white wire from the fan to the white (neutral) supply wire.
- Connect the black and blue wires from the fan to the black (hot) supply wire.

Note: If there is a second hot/power wire coming from the outlet box, connect it to the Blue (light power) fan wire for separate light and fan control.

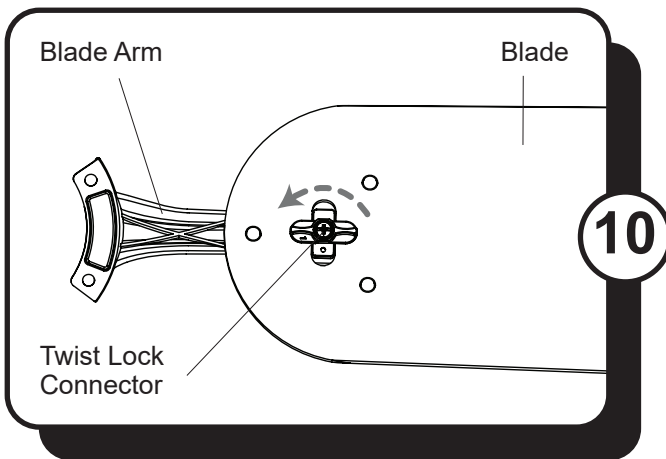
Important: After the connections have been made, the connected wires should be turned upward and pushed carefully up into the outlet box. Place the black and white wire connections on opposite sides of the outlet box.



9

Mounting Bracket Screw
Canopy
Round Hole
J-shaped Slot
Trim Ring

9. Raise the canopy, ensure the two mounting bracket screws are aligned with the J-shaped slots in the canopy. Then turn the canopy in a clockwise direction until the mounting bracket screws are completely engaged in the J-shaped slots. Install the two previously removed mounting bracket screws in the round holes. Securely tighten all mounting bracket screws. Lift the trim ring over the canopy and rotate clockwise until it is locked into right position.

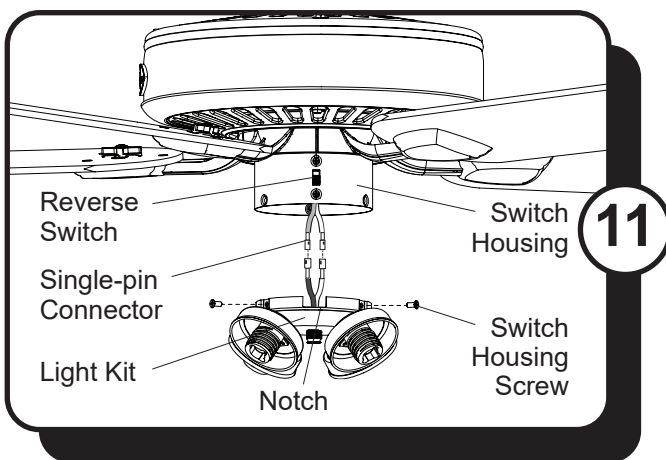


10

Blade Arm
Blade
Twist Lock Connector

10. Align the twist lock connector in the direction of its corresponding hole in the blade. Place the blade over the twist lock connector. Rotate the twist lock connector so that it is perpendicular to the hole in the blade. Repeat for the remaining blades.

To install the fan without the light kit, skip to step 15.



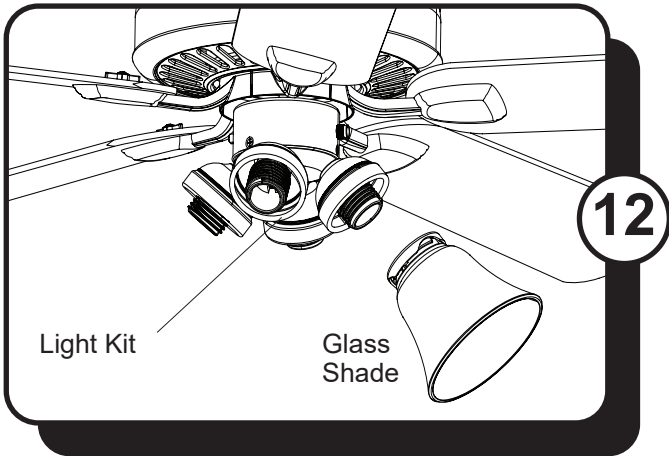
11

Reverse Switch
Single-pin Connector
Light Kit
Notch
Switch Housing
Switch Housing Screw

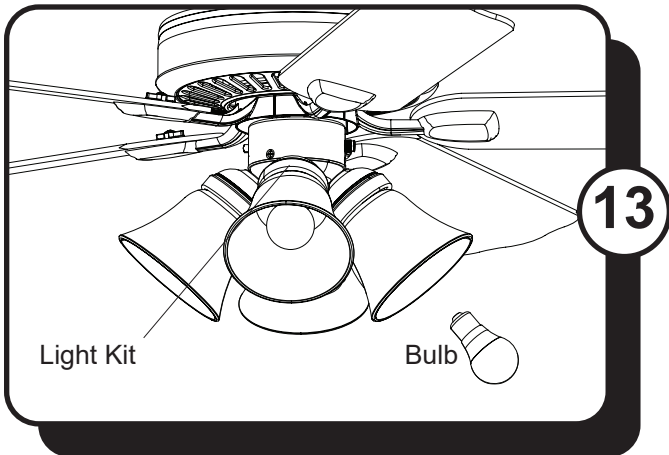
11. Remove the three switch housing screws from the top edge of the light kit. Then, connect the single-pin connectors from the switch housing to the single-pin connectors from the light kit -- blue to black and white to white. Then, using the three previously removed switch housing screws, secure the light kit to the switch housing.

Note: Align the notch in the light kit with the reverse switch.

ASSEMBLY INSTRUCTIONS

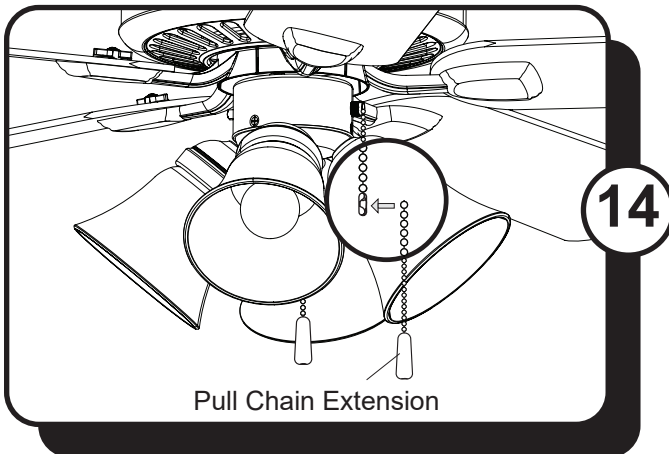


12. Attach each glass shade to the light kit by twisting the glass shade firmly in a clockwise direction until it is secure.



13. Install the E26-base LED bulbs into the sockets of the light kit.

Important: Make sure you allow the bulbs and light kit to cool before you replace the bulbs.

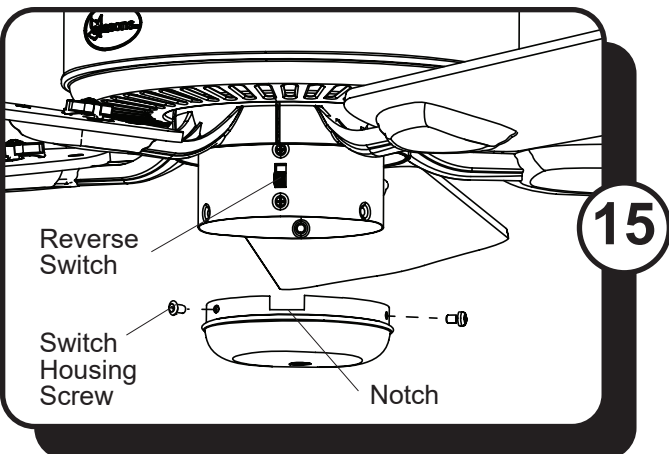


14. Attach pull chain extensions to the pull chains.

Note: The pull chain in the center of the light kit controls the light.

Turn ON the electrical power at the main fuse or circuit breaker and the wall switch.

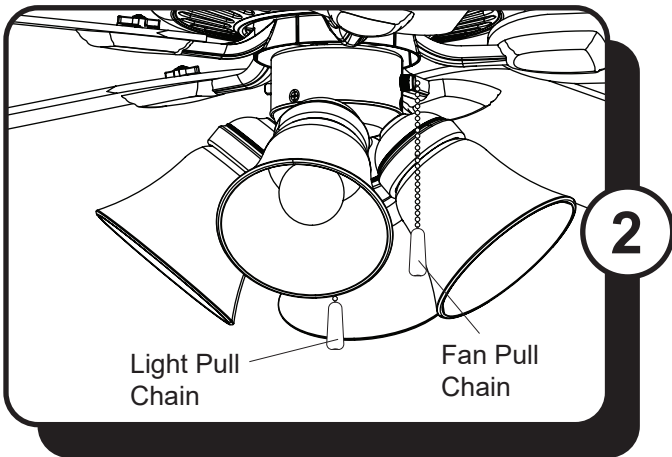
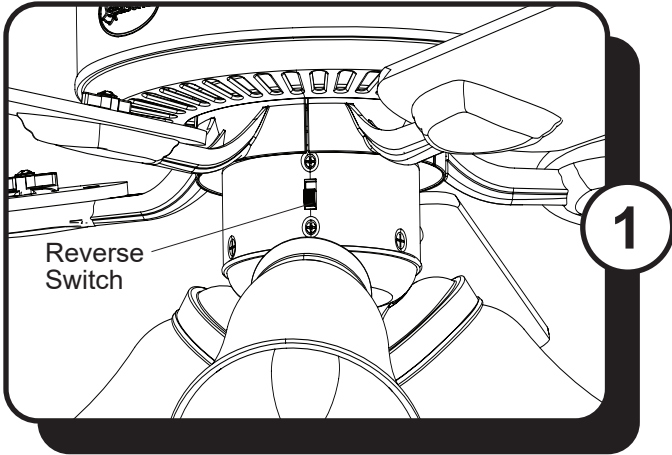
Assembly is complete.



15. INSTALLATION WITHOUT LIGHT KIT (OPTIONAL)

- Remove the three switch housing screws from the top of the light kit.
- Attach the switch housing cap to the switch housing using the three previously removed switch housing screws. **Note:** Align the notch in the switch housing cap with the reverse switch.
- Attach the pull chain extension.
- Restore the power at the main fuse or circuit breaker.

OPERATING INSTRUCTIONS



1. Using a ceiling fan will allow you to raise your thermostat setting in summer and lower your thermostat setting in winter without feeling a difference in your comfort.

In warmer weather, push the reverse switch to the down for downward airflow creating a wind chill effect.

In cooler weather, push the reverse switch to the up for upward airflow that can help move stagnant, hot air off the ceiling area.

Important: Wait for the fan to stop before moving the reverse switch. The reverse switch must be set either completely up or down in order for the fan to function correctly. If the reverse switch is set in the middle position, the fan will not operate.

2. The fan pull chain has four positions to control fan speed. One pull is HIGH, two is MEDIUM, three is LOW and four turns the fan OFF. The light pull chain has two positions -- OFF and ON.

TROUBLESHOOTING

If you have difficulty operating your new ceiling fan, it may be the result of incorrect assembly, installation or wiring. In some cases, these installation errors may be mistaken for defects. If you experience any faults, please check the Troubleshooting section below. If a problem cannot be remedied or you are experiencing difficulty in installation, please contact Customer Service: **1-800-431-3000**.

PROBLEM	SUGGESTED REMEDY
1. Fan does not start:	<ol style="list-style-type: none">1. Check main and branch circuit fuses or circuit breakers.2. Check power supply wire connections to fan and switch wire connections in switch housing. CAUTION: Make sure main power is turned off before entering canopy.3. Make sure forward/reverse switch pushed completely up or down. Fan will not operate when switch is in the middle.4. Make sure that the wall control is turned ON.
2. Fan is noisy:	<ol style="list-style-type: none">1. Make sure all screws in motor housing are snug, but not overtightened.2. Make sure the screws which attach the blade arm to the motor are tight.3. Make sure wire connectors in switch housing are not rattling against each other or against the interior wall of the switch housing. CAUTION: Make sure main power is turned off before entering switch housing.4. If using a light kit, be sure the glass shades are finger tight. Check to be sure light bulb are snug in sockets and not touching glass shade(s). If vibration persists from glass, remove glass and install a 1/4 in. wide rubber band on glass neck to act as an insulator. Replace glass and tighten screws against rubber band.
3. Fan wobbles:	<ol style="list-style-type: none">5. Some fan motors are sensitive to signals from Solid State variable speed controls. DO NOT USE a Solid State variable speed control.<ol style="list-style-type: none">1. Ensure all blades are screwed firmly into blade arms.2. Ensure all blade arms are tightened securely to motor.3. Ensure canopy and mounting bracket are tightened securely to outlet box and outlet box is mounted firmly to ceiling joist.4. Switch one blade with a blade from the opposite side. Or balance the fan using a balancing kit.
4. Light does not work:	<ol style="list-style-type: none">5. If blade wobble is still noticeable, interchanging two adjacent (side by side) blades can redistribute the weight and possibly result in smoother operation.<ol style="list-style-type: none">1. Check blue wire from fan to make sure it is connected to hot (black) power supply wire.2. Check for loose or disconnected wires in fan switch housing.3. Check for loose or disconnected wires in light kit.4. Check for faulty light bulbs. CAUTION: Make sure main power is turned off before entering switch housing.

MANUFACTURER WARRANTY

To contact Customer Service: 1-800-431-3000.

Model Name: Seasons® 52" LED Ceiling Fan

Part #: 287505 (32182) - Brushed Nickel, USN #: 323157604

Part #: 287507 (32183) - Polished Brass

Part #: 287508 (32181) - White, USN #: 323157605

Part #: 269721 (32145) - Bronze

Set forth below, the manufacturer, Hong Kong China Electric appliance Company (HKC) warrants the fan motor for this ceiling fan to be free from defects in workmanship and material for the life of the product. Also, subject to the limitations below, HKC warrants all ceiling fan parts ("ceiling fan parts" excludes the motor and parts made in whole or in part with glass) to be free from defects in workmanship and material for a period of one year after the date of purchase by the original purchaser at retail.

All claims must be made by the original purchaser, whether such purchaser purchased the product through a store or contractor. Ceiling fan part defects must be reported within the first year from the date of purchase. Parts made in whole or in part with glass and the finishes of metal and other surfaces are not warranted.

Purchasers are responsible for all costs of removing and reinstalling the product. Any damage to any part caused by ordinary wear and tear, accident, misuse, or improper installation, is not covered by this warranty. HKC assumes no responsibility whatsoever for fan installation. Any service performed by a non-licensed electrician will render the warranty invalid.

HKC's sole responsibility shall be to repair or replace the motor, parts, or product within the terms stated above. HKC shall not be liable for any loss or damage of any kind, including any incidental or consequential damages resulting directly or indirectly, from any breach of warranty, express or implied, or any other failure of this product. Some states do not allow the exclusion or limitation of incidental or consequential damages so this limitation may not apply to you.

If the original purchaser ceases to own the fan, this warranty is voided.

Should the purchaser encounter a problem with your fan related to defects in workmanship or materials within the warranty period associated with the defective part, HKC agrees to replace the defective part without charge, or at its option, to replace the ceiling fan with a comparable or superior model.

HKC's warranties are limited to the written warranties set out in this HKC ceiling fan limited lifetime warranty. All other express and implied warranties, including, without limitation, the implied warranty of fitness for a particular purpose and the implied warranty of merchantability are disclaimed. Some states do not allow the disclaimer of implied warranties, so this disclaimer may not apply to you.

Exclusively Distributed By:
HD Supply
Atlanta, GA 30339

© 2023
Made in China

To Reorder:

1-800-431-3000
hdsupplysolutions.com