

The Com-Pak Max

The professional's choice for smaller areas



CADET
SAFETY & QUALITY



SAFETY

Thermal Safeguard

- High temperature manual reset: turns off heater if normal operating temperatures are exceeded



QUALITY

- Durable steel tube and plate constructed heating element
- Powder coat paint process eliminates sharp metal edges



CONVENIENCE

- Horizontal or vertical grill mounting options
- Multi-watt versatility



EASY

Wall can designed for ease of installation

General Information:

The Com-Pak Max provides all the benefits of our popular Com-Pak Plus, but features more durable components and increased versatility. This multi-watt heater is perfect as a single unit for smaller areas such as a bathroom or small bedroom, or as multiple units for larger areas such as a master bedroom, living room or family room. Choose from a vertical grill with the option of a built-in thermostat, or a horizontal, register style grill without a built-in thermostat, to suit your project needs. Cadet recommends a wall-mounted thermostat for optimum performance.

Architectural Information:

Fan forced electric air heaters shall be UL listed, factory dual field rated 208V/240V. The painted wall mounting can for this heater is made from 20-gauge sheet steel with six electrical knockouts and 34 cubic inches for a wiring compartment. Each complete heater shall be of unitized construction and attach to the wall can with a single screw and shall be self-contained and completely separate from the wall mounting can. Element construction is a coiled nichrome heating wire sealed in a steel sheath with steel fins brazed to the sheath. Heating unit shall include a 16-amp rating at 240V, high temperature manual reset limit switch. A two stage centrifugal blower shall be driven by an impedance protected motor. The motor shall be totally isolated from the heating chamber. Metal grills shall be of one piece, constructed of 22-gauge steel and finished with a powder coat paint system.



Learn more about
The Com-Pak Max
Scan It Now!



Carton Details

Heater Assembly Only Carton

DIMENSIONS | 12"W x 7.5"H x 5.25"D
PALLET QTY. | 100
CUBE | .27



Heater Assembly with Thermostat



Wall Can

The Com-Pak Max



PHONE 360.693.2505
 FAX 360.694.8668
 WEB www.cadetco.com

Technical Information:

The wall can and the Com-Pak Max heater assembly may be installed vertically or horizontally. The Com-Pak Plus grill may be installed vertically or horizontally. The Com-Pak Max register style grill may only be installed horizontally. The (vertical installation) Com-Pak Max may be ordered with or without a built-in thermostat. For optimal comfort use a Cadet electronic thermostat. Fan heaters and thermostats work best when installed on an inside wall. UL requires heater to be placed a minimum distance of 6" from adjacent surfaces and 4.5" from the floor. Manufacturer recommends installation 12" from all surfaces. A 3' minimum clearance is required for furniture or other objects placed directly in front of heater. Not approved for ceiling mount.

NOTE: Manufacturer recommends installing heater assembly after walls are finished. Heater must be cleaned every six months minimum.

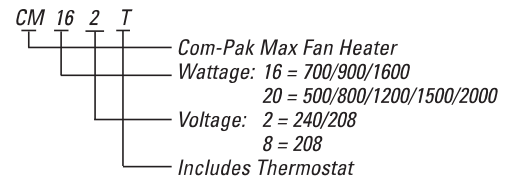
Ordering Information:

The heater assembly, Com-Pak Plus grill and Com-Pak Max register style grill are all separate components and shall be ordered separately. Suffix "T" in model number denotes built-in single pole thermostat. Model numbers without a "T" require a thermostat. Recommended for elevations under 10,000 feet. Grill kits available in white or almond.

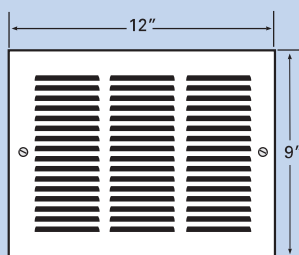
UPC Code			WATTS		AMPS		
Part#	Model#	Description	240V	208V	240V	208V	Wt./Lbs
027418	65001 6	CM162 Heater Assembly Only—No Thermostat	700/900/1600	525/675/1200	2.92/3.75/6.67	2.52/3.25/5.77	4.25
027418	65002 3	CM162T Heater Assembly Only—w/ Thermostat	700/900/1600	525/675/1200	2.92/3.75/6.67	2.52/3.25/5.77	4.5
027418	65003 0	CM202 Heater Assembly Only—No Thermostat	500/800/1200/1500/2000	375/600/900/1125/1500	2.08/3.33/5.0/6.25/8.33	1.80/2.88/4.33/5.41/7.21	4.25
027418	65004 7	CM202T Heater Assembly Only—w/ Thermostat	500/800/1200/1500/2000	375/600/900/1125/1500	2.08/3.33/5.0/6.25/8.33	1.80/2.88/4.33/5.41/7.21	4.5
027418	65008 5	CM208 Heater Assembly Only—No Thermostat		500/800/1200/1500/2000		2.40/3.85/5.77/7.21/9.62	4.25
027418	65009 2	CM208T Heater Assembly Only—w/ Thermostat		500/800/1200/1500/2000		2.40/3.85/5.77/7.21/9.62	4.5
027418	65030 6	CM168 Heater Assembly Only—w/ Thermostat		700/900/1600		3.37/4.33/7.69	4.3

UPC Code			ACCESSORIES	
Part#	Model#	Description		Wt./Lbs
027418	67061 8	CC CS Wall Can Single Pack		2.75
027418	67060 1	CC10 CS Wall Can, 10 Pack		22.5
027418	67079 3	CGW CS Grill w/ Parts, White, Vertical		1.5
027418	67081 6	CGW10 CS Grill w/ Parts, White, 10 pack, Vertical		12.25
027418	67075 5	CGA CS Grill w/ Parts, Almond, Vertical		1.5
027418	67080 9	CGA10 CS Grill w/ Parts, Almond, 10 pack, Vertical		12.25
027418	65005 4	CMGW Register Style Grill w/ Parts, White		2.0
027418	65006 1	CMGW5 Register Style Grill w/ Parts, White, 5 pack		7.5
027418	65015 3	CMGA Register Style Grill w/ Parts, Almond		2.0
027418	65016 0	CMGA5 Register Style Grill w/ Parts, Almond, 5 pack		7.5
024718	67063 2	CTT1W* Single Pole Field Mount Thermostat Kit, 22 amp, White		.25
027418	67064 9	CTT2W* Double Pole Field Mount Thermostat Kit, 22 amp, White		.25
027418	67065 6	CTT1A* Single Pole Field Mount Thermostat Kit, 22 amp, Almond		.25
027418	67066 3	CTT2A* Double Pole Field Mount Thermostat Kit, 22 amp, Almond		.25
027418	67067 0	CTTP* Tamper Proof Field Mount SP Thermostat Kit, 22 amp		.25
027418	06390 8	CS4MA 4" Surface Mount Metal Adapter CS Series, Almond		3.5
027418	06395 3	CS4MW 4" Surface Mount Metal Adapter CS Series, White		3.5
027418	67100 4	CAMA 18.5" x 22" Metal Adapter Plate CS Series, Almond		3.5
027418	67105 9	CAMW 18.5" x 22" Metal Adapter Plate CS Series, White		3.5
027418	67110 3	SAMA 12" x 21.25" Metal Adapter Plate, Almond		2
027418	67115 8	SAMW 12" x 21.25" Metal Adapter Plate, White		2

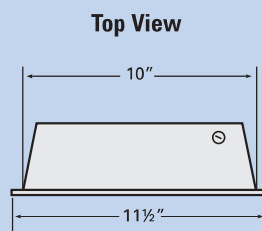
Model No. Code



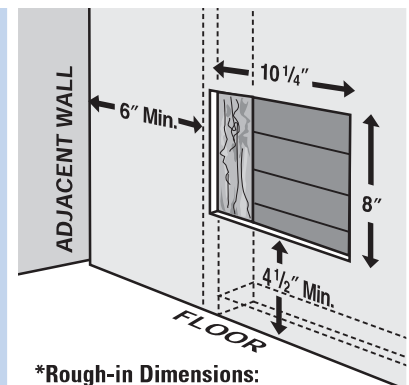
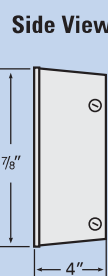
*Thermostat kit temperature range 40°F to 85°F



Horizontal Grill Dimensions:
 12" W x 9" H x 1" D



Wall Can Dimensions:
 11 1/2" W x 7 7/8" H x 4" D



***Rough-in Dimensions:**
 10 1/4" W x 8" H x 4" D