



# Anchor Point™ Two Handle Bath Faucet, Drilled for Pop Up, Brushed Nickel, 1.2GPM

**Part #: 158060**  
**USN #: 320280256**

### Features

- Metal Lever Handle
- Ceramic Cartridge
- Requires 3-Hole Sink with 4" On-Center
- Quick Install Mounting Nut
- Neoperl Aerator: None thread / 13/16" Dia.
- 1" Max Deck Thickness

### Performance

- Max Flow Rate 1.2 gpm (4.5L/Min) At 60 psi (ASME A112.18.1 / CSA B125.1)

### Compliance Certifications

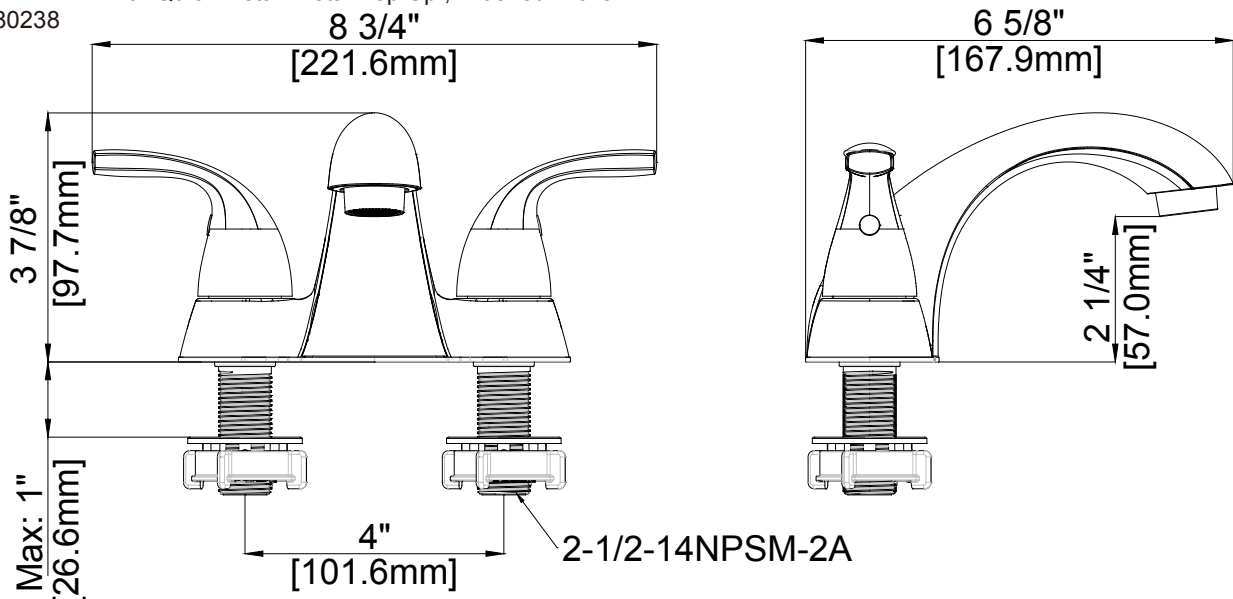
- cUPC/IAPMO Listed
- ADA Compliant
- NSF 61-9 Compliant
- WaterSense Certified
- CA AB1953
- DOE
- CEC
- Commonwealth of Massachusetts
- NSF/ANSI/CAN 61: Q≤ 1

### Manufacturer's Warranty

- Limited Lifetime

### Similar Products

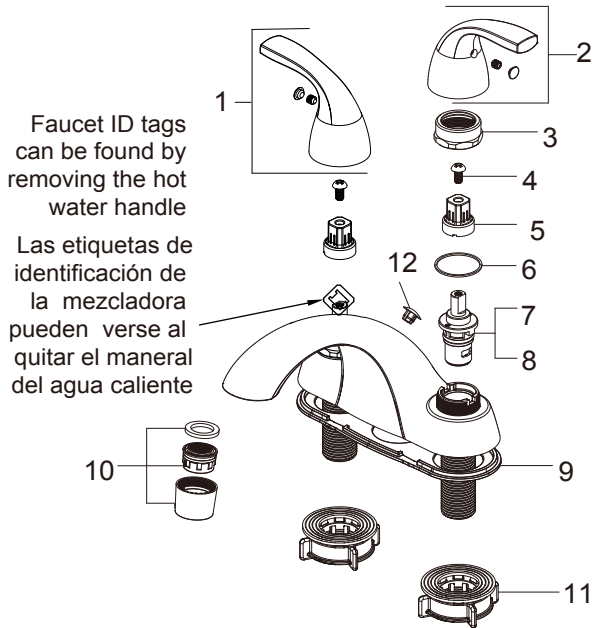
- Part #: 158229 With Quick Install Pop Up , Chrome
- USN #: 320280246
- Part #: 158704 Without Pop-Up Assembly, Chrome
- USN #: 320280240
- Part #: 158717 With Quick Install Pop Up , Brushed Nickel
- USN #: 320280253
- Part #: 158722 With Quick Install Metal Pop Up , Brushed Nickel
- USN #: 320280238



Exclusively Distributed By:  
 HD Supply  
 Atlanta, GA 30339  
 © 2022

To Reorder:  
 1-800-431-3000  
 hdsupplysolutions.com

## Replacement Parts / Repuestos



Part Pieza	Description Descripción	Part # Pieza #	USN # USN #
1	Handle H / Llave H	186905	
2	Handle C / Llave C	186887	
3	Bonnet Nut / Tuerca del Bonete	158765	
4	Screw / Tornillo	186858	
5	Inverter / Inversor	186855	
6	Washer / Arandela	186810	
7	Cartridge H / Cartucho H	186936	322096815
8	Cartridge C / Cartucho C	186926	322096440
9	Gasket / Junta	186842	
10	Aerator / Aireador	186891	322096456
11	Quick Install Nut / Tuerca de Instalación Rápida	186846	322096434
12	Cap / Tapa	186844	322096816