

COMMERCIAL HEAVY DUTY

Product Specifications

Shape	Elongated
Seat Material	Polypropylene
Seat Form	Open front
Commercial Hinge	Yes
Bolt Material	Stainless steel
Hardware Material	FAST-N-LOCK
Check Hinge	Yes
Cover	Yes
Custom Gasket	No
Color	White

Warranty	1 year limited warranty
-----------------	-------------------------

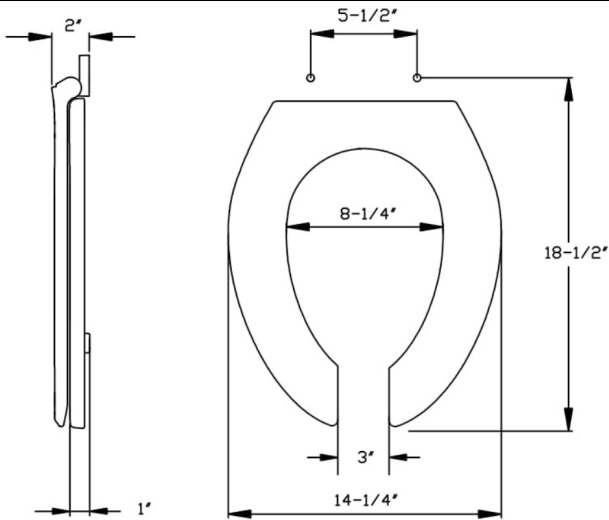
Available Colors	White,
-------------------------	--------

Features
FAST-N-LOCK

Centoco's new patented FAST-N-LOCK Mounting System takes the guessing out when tightening the hardware. The specially designed fasteners "click" when the appropriate torque is reached. This feature largely reduces the chance of getting call backs from customers for seats that have become loose over time.

Commercial Hinge

Includes commercial grade hinges. One piece solid metal hinge pin and bolt over molded with plastic.



Dimensions shown are nominal and may vary within a range of tolerance. Product specifications are subject to change without notice.