



# 18 cu. ft. Top-Freezer Refrigerator

## WRT318FZD



Monochromatic Stainless Steel  
WRT318FZDM

### Also available in:



White

**WRT318FZDW**



Black

**WRT318FZDB**

### Capacity

Total Capacity	18 cu. ft.
Refrigerator Capacity	13 cu. ft.
Freezer Capacity	5 cu. ft.

### General Features & Properties

Freezer Temperature Controls

Frameless Glass Shelves

EZ Connect Icemaker Kit

ADA Compliant

#1 Selling Appliance Brand in the U.S.A.\*

### Electrical Details

Amps	6.5
Volts	115

### Certifications

ADA Compliant	Yes
---------------	-----

### Technical Details

Refrigerator Type	Top-Freezer
Number of Doors	2
Number of Interior Refrigerator Shelves	3
Number of Refrigerator Door Bins	5 Fixed
Number of Interior Freezer Shelves	1
Number of Freezer Door Bins	2 Fixed
Lighting Type	Incandescent
Ice Maker	Optional
Ice Maker Location	Freezer
Dispenser Type	N/A

### Dimensions

Product Dimensions (H x W x D)	65-7/8" x 29-3/4" x 33-1/2"
Depth with Door Open 90°	59-3/4"
Cutout Dimensions	Allow extra 1/2" on sides and top Allow extra 1" on rear

### Reference Material

[Dimension Guide](#)

[Install Guide](#)

[Use & Care Guide](#)

[Energy Guide](#)

[Warranty](#)

### Key Features & Benefits

#### Flexi-Slide™ Bin

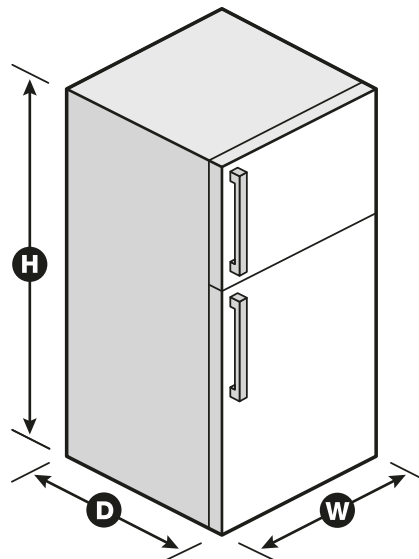
Make space for tall items with the bin that quickly and easily moves side to side.

#### Quiet Cooling

Keep noise down in the kitchen with quiet cooling.

#### Electronic Temperature Controls

Choose the ideal temperature for whatever foods you're storing with up-front controls.



\*Based on 12-month average of unit sales. Refrigeration, Cooking, Dishwashers and Laundry appliances. TraQline 2018. NOTE: Dimensions are for planning purposes only. For complete details, see Installation Instructions packed with product. Specifications subject to change without notice. ©/™ © 2020. All rights reserved. Printed in the U.S.A. D200052XXC. WRT318FZDSPECSHEETV01.