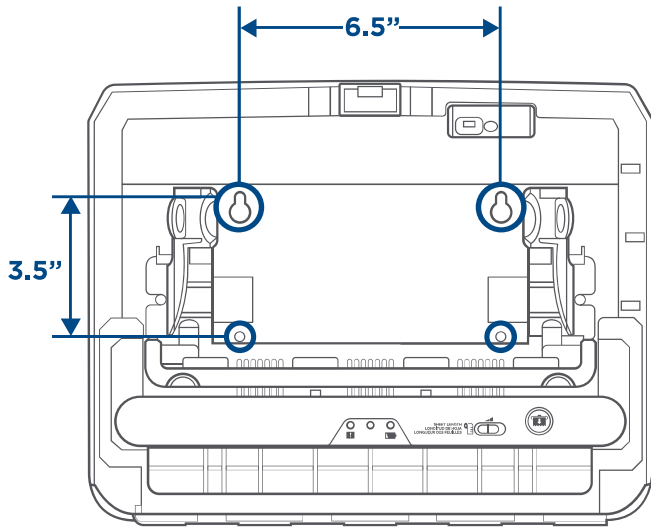
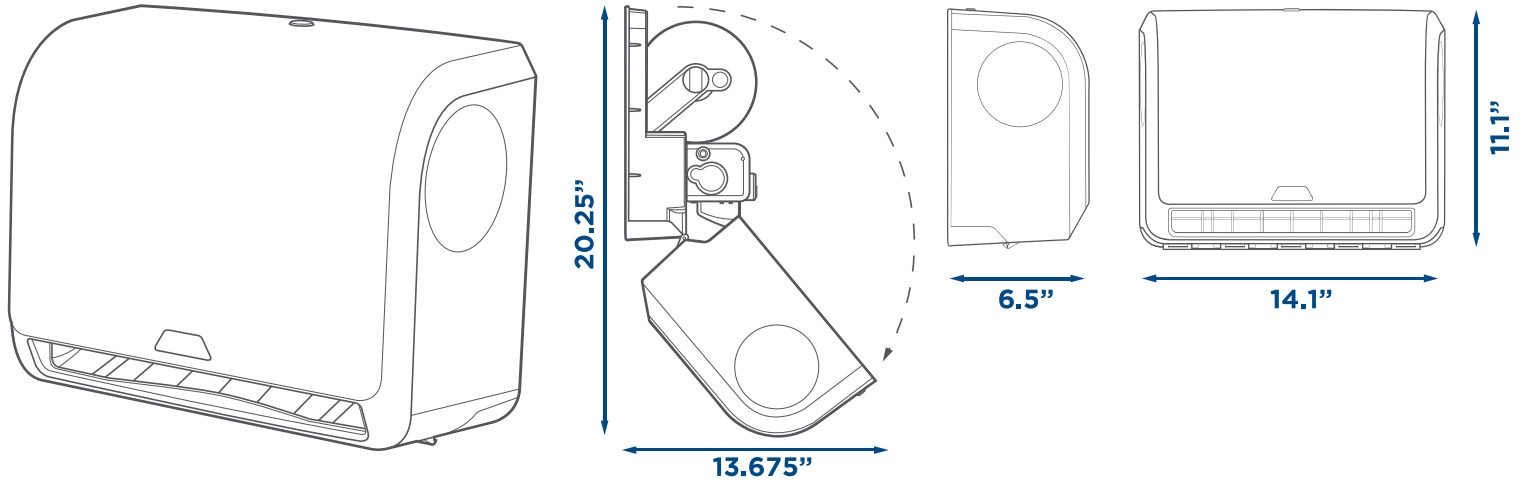


Specification Sheet: 54518

Pacific Blue Ultra™ Mini 9" Automated Touchless Paper Towel Dispenser



Weight: 6lbs 5oz

Specifications: Impact resistant plastic.

Wall Mounting: Position unit on wall so that the top is level. Use push button to open front cover and mark screw locations where indicated with circles.

Secure unit to wall with four (4) anchored screws appropriate to the type of wall in locations previously marked. A mounting hardware kit has been included with your dispenser that is designed to work with drywall, plaster, and wood paneling. Customer is responsible for ensuring the dispenser is properly and securely installed. Remember to leave enough space above the unit to allow access to the push button.

Mounting should comply with ADA guidelines. Compliance is the responsibility of the installer.